



COUNTERSINKING

• Drill Countersinks • Countersinks • Quickbits® • Smart Chamfer

COUNTERSINKING

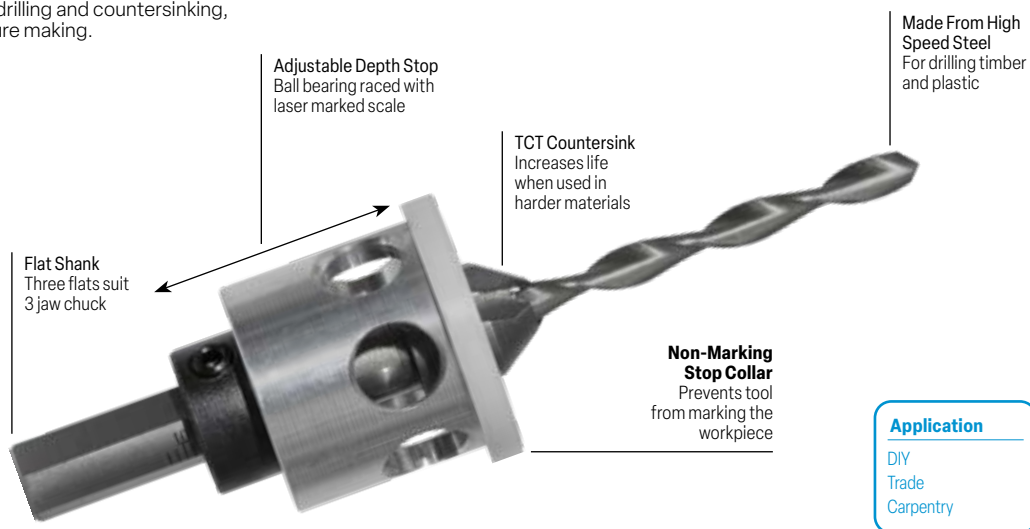
Countersinking Index

91	Countersinks HSS
90	Countersinks HSS 1/4" Hex Shank
93	Countersinks Quickbits [®] - Rosehead
92	Countersinks Quickbits [®] - Rosehead Impact
93	Countersinks Rosehead
89	Drill Countersinks Quickbits [®]
88	Drill Countersinks Quickbits [®] - TCT
87	Drill Countersinks Quickbits [®] - TCT Cut-Smart
86	Drill Countersinks TCT
94	Smart Chamfer

Drill Countersinks TCT



Designed for perfect controlled drilling and countersinking, ideal for timber decks and furniture making.



Application

- DIY
- Trade
- Carpentry

Discount Group: A1106

Product Information								Item #	Barcode
Diameter mm	O/A Length	Flute Length	Countersink Size	Countersink Angle	Screw Gauge	Shank	Pieces		
Metric	mm	mm	mm			mm			
TCT Drill Countersinks								C113	
3.2	65	35	16	82°	8G	9.5	1	C113 0320	9311963629315
3.5	70	40	16	82°	9G	9.5	1	C113 0350	9311963629322
3.8	75	43	16	82°	10G	9.5	1	C113 0380	9311963629339
4.0	75	50	16	82°	12G	9.5	1	C113 0400	9311963629346
5.0	86	56	16	82°	14G Bugle	9.5	1	C113 0500	9311963629353
TCT Replacement Drills								C112	
3.2	65	35			8G		5	C112 0320	9311963629209
3.5	70	40			9G		5	C112 0350	9311963629216
3.8	75	43			10G		5	C112 0380	9311963629223
4.0	75	50			12G		5	C112 0400	9311963629230
5.0	86	56			14G Bugle		5	C112 0500	9311963629247



Drill Countersinks Quickbits® - TCT Cut-Smart



Quickbits® TCT Cut-Smart 2-in-1 Decking Bit has been designed for perfect controlled drilling and countersinking with the one tool. For use in timber decking, cement sheet, blue board, plastic and abrasive materials.

Non-Marking Stop Collar
Prevents tool from marking the workpiece



Check out the demo



1/4" Hex Shank
Suits quick change adaptors



Adjustable Depth Stop
For accurate control of countersink depth



Removable TCT Drill
For easy replacement, each pack includes 2 bonus pilot drills

TCT Countersink
For use in cement sheet, blue board, timber, plastic and abrasive materials

Extra-Wide Gullets
Allows chips to clear without jamming

Discount Group: A0424

Product Information									Item #	Barcode
Diameter inch / mm	O/A Length	Flute Length	Countersink Size	Countersink Angle	Screw Gauge	Shank	Pieces			
Imperial	mm	mm	mm			inch				
TCT Drill Countersinks										
1/8	3.18	60	38	9.5	82°	8G	1/4	1	107CSC000	9311744439577
9/64	3.57	60	38	9.5	82°	10G	1/4	1	107CSC001	9311744439331
5/32	3.97	60	38	9.5	82°	12G	1/4	1	107CSC002	9311744439348
3/16†	4.76	60	38	14.8	82°	14G	1/4	1	107CSC004	9311744439362
TCT Replacement Drills										
1/8	3.18	60	38			8G		2	107CSD008	9311744443291
9/64	3.57	60	38			10G		2	107CSD009	9311744443307
5/32	3.97	60	38			12G		2	107CSD010	9311744443314
3/16	4.76	60	38			14G		2	107CSD012	9311744443321



107CSD008

†Suits Type 17 bugle head batten screw

Drill Countersinks Quickbits® - TCT



Drill screw pilot hole and countersink in one action. Tungsten carbide tipped (TCT) countersink with multi-purpose drill bit. For use in cement sheet blue board, timber, plastic and abrasive materials.

TCT Countersink
For use in cement sheet, blue board, timber, plastic and abrasive materials



1/4" Hex Shank
Suits quick change adaptors



TCT Removable Drill
For easy replacement

Discount Group: A0424

Product Information								Item #	Barcode
Diameter inch / mm	O/A Length	Flute Length	Countersink Size	Countersink Angle	Screw Gauge	Shank	Pieces		
Imperial	mm	mm	mm			inch			
TCT Drill Countersinks									
1/8	3.18	60	40	9.5	82°	8G	1	107DC0008	9311744445677
9/64	3.57	75	40	9.5	82°	10G	1	107DC0010	9311744437030
5/32	3.97	75	45	9.5	82°	12G	1	107DC0012	9311744437047
3/16†	4.76	85	45	14.8	82°	14G Bugle	1	107DC0016	9311744439034
TCT Replacement Drills									
1/8	3.18	60	40			8G	1	107DCR008	9311744439850
9/64	3.57	75	40			10G	1	107DCR010	9311744438327
5/32	3.97	75	45			12G	1	107DCR012	9311744438334
3/16†	4.76	85	45			14G Bugle	1	107DCR014	9311744438341
TCT Drill Countersink Set									
7/64, 1/8, 9/64, 5/32"							4	107DC0004	9311744446186



107DC0004



107DCR014

†Suits Type 17 bugle head batten screw

Drill Countersinks Quickbits®



Drill screw pilot hole and countersink in one action.



1/4" Hex Shank
Suits quick change adaptors



Made From High Speed Steel
For drilling timber and plastic

Discount Group: A0424

Product Information								Item #	Barcode
Diameter inch / mm	O/A Length	Flute Length	Countersink Size	Countersink Angle	Screw Gauge	Shank	Pieces		
Imperial	mm	mm	mm			inch			
Drill Countersinks								107B30781	9311744436545
5/64	1.98	58	22	9.8	82°	4G	1/4	1	107B30937 9311744436552
3/32	2.38	58	22	9.8	82°	6G	1/4	1	107B31250 9311744436576
1/8	3.18	64	24	9.8	82°	8G & 10G	1/4	1	107B31406 9311744436583
9/64	3.57	69	24	12	82°	10G & 12G	1/4	1	
Drill Countersink Set								107B3SET3	9311744436590
7/64, 1/8, 9/64 + 5/8" Countersink								4	



107B3SET3



1/4" Hex Shank
Suits quick change adaptors



105SDC000



Made From High Speed Steel
For drilling timber and plastic

Discount Group: A0424

Product Information			Item #	Barcode
Drill Countersink Set			Pieces	
3/32, 7/64, 1/8, 9/64 + Allen Key			4	105SDC000 9311744435043

Countersinks HSS 1/4" Hex Shank



For countersinking screw holes in steel, tool steel, stainless steel, cast iron, brass and aluminium.
For use in portable and pedestal drilling machines.



1/4" Hex Shank
Suits impact drivers and quick change adaptors

Made From High Speed Steel
Offering the best combination of strength, heat and wear resistance

Discount Group: A1106

Product Information								Item #	Barcode
Diameter inch / mm	O/A Length	Countersink Angle	No. Flutes	Screw Head	Shank	Pieces			
Imperial	mm	mm			inch				
90° Countersink - HSS									
1/2	13.4	47	90°	1	M6	1/4	1	C109 0127	9311963123714

Countersinks HSS



Made from High Speed Steel for use in steel, tool steel, stainless steel, cast iron, brass and aluminium. Can be used in portable and pedestal drilling machines.



107CS0083



107CS0003



90° Three Flute
Made to DIN335 specifications, for countersinking screw holes

Made From M2 HSS
Offering the best combination of strength, heat and wear resistance

Discount Group: A1106

Product Information								Item #	Barcode
Diameter	Range	O/A Length	Countersink Angle	No. Flutes	Shank	Screw Head	Pieces		
mm	mm	mm	mm		mm				
HSS Countersinks[▲]									
6.3	1.5 – 6.3	45	90°	3	5	M3	1	107CS0063 [▲]	9311744446124
8.3	2.0 – 8.3	50	90°	3	6	M4	1	107CS0083 [▲]	9311744437412
10.4	2.5 – 10.4	50	90°	3	6	M5	1	107CS0104 [▲]	9311744446131
12.4	2.8 – 12.4	56	90°	3	8	M6	1	107CS0124 [▲]	9311744437429
16.5	3.2 – 16.5	60	90°	3	10	M8	1	107CS0165 [▲]	9311744446148
20.5	3.5 – 20.5	63	90°	3	10	M10	1	107CS0205 [▲]	9311744437436
25.0	3.8 – 25.0	67	90°	3	10	M12	1	107CS0250 [▲]	9311744446155
3 Pce HSS Countersink Set[▲]			8.3, 12.4, 20.5mm				3	107CS0003 [▲]	9311744439782



107CD1015



Made From M2 HSS
Offering the best combination of strength, heat and wear resistance

90° Cross Hole
For removing burrs

Discount Group: A1106

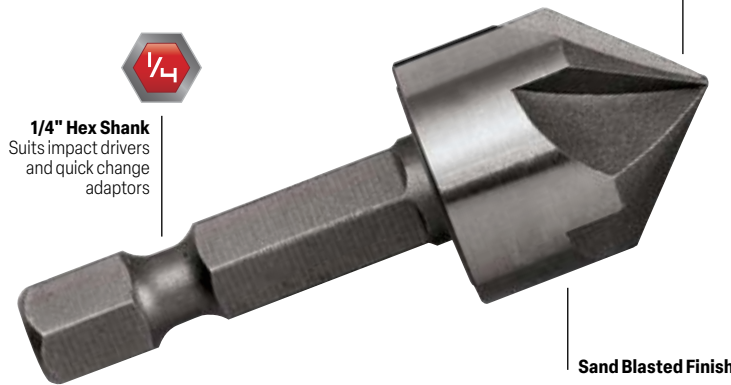
Product Information						Item #	Barcode
Diameter	Range	O/A Length	Countersink Angle	Shank	Pieces		
mm	mm	mm	mm	mm			
HSS Countersinks - Deburring Cross Hole[▲]							
14	5 – 10	48	90°	8	1	107CD0510 [▲]	9311744437443
21	10 – 15	65	90°	10	1	107CD1015 [▲]	9311744437450
28	15 – 20	84	90°	12	1	107CD1520 [▲]	9311744437467

[▲]New look packaging depicted. Actual product packaging may differ from image shown.



For countersinking screw holes in aluminium, wood and plastic.
Made from Chrome Vanadium for increased performance.

Made From Chrome Vanadium (CRV)
For drilling aluminium, wood and plastic

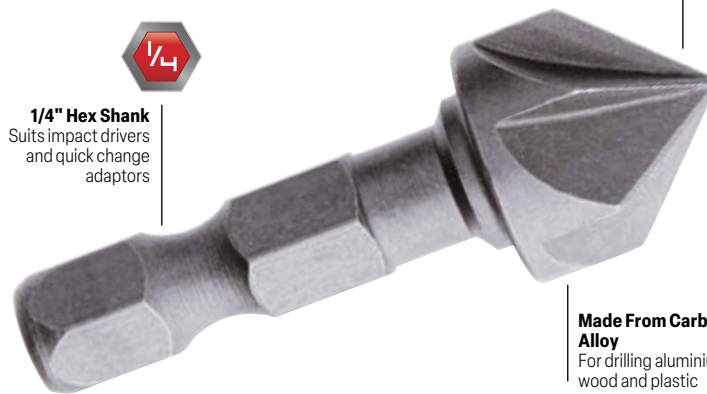


1/4" Hex Shank
Suits impact drivers and quick change adaptors

Sand Blasted Finish

Discount Group: A0424

Product Information							Item #	Barcode
Diameter	O/A Length	Countersink Angle	No. Flutes	Screw Head	Shank	Pieces		
mm / inch	mm	mm			inch			
6.35	1/4	43	90°	5	M3	1/4	1	105CSR063 9311744437726
8.00	5/16	43	90°	5	M4	1/4	1	105CSR080 9311744437733
10.0	3/8	43	90°	5	M5	1/4	1	105CSR100 9311744437740
12.0	1/2	43	90°	5	M6	1/4	1	105CSR120 9311744437757
16.0	5/8	43	90°	5	M8	1/4	1	105CSR160 9311744437764
19.0	3/4	43	90°	5	M10	1/4	1	105CSR190 9311744437771
Set	12, 16, 19mm					1/4	3	105CSRSET 9311744437788



1/4" Hex Shank
Suits impact drivers and quick change adaptors

90° 5 Flute
For countersinking/counter boring screw holes

Made From Carbon Alloy
For drilling aluminium, wood and plastic

Discount Group: A0424

Product Information							Item #	Barcode
Diameter	O/A Length	Countersink Angle	No. Flutes	Screw Head	Shank	Pieces		
mm / inch	mm	mm			inch			
Rosehead Impact Countersink - Stubby								
12.0	1/2	32	90°	5	M6	1/4	1	107BCSINK 9311744026401

Countersinks Quickbits® - Rosehead



For countersinking screw holes in aluminium, wood and plastic. Made from Carbon Alloy Steel for good performance.

Made From Carbon Alloy Steel
For drilling aluminium, wood and plastic



Discount Group: A0424

Product Information							Item #	Barcode
Diameter	O/A Length	Countersink Angle	No. Flutes	Screw Head	Shank	Pieces		
mm / inch	mm	mm			inch			
13.0	1/2	50	90°	5	M6	1	105HCS013	9311744435074
16.0	5/8	50	90°	5	M8	1	105HCS016	9311744435081
19.0	3/4	50	90°	5	M10	1	105HCS019	9311744435098

Countersinks Rosehead



For countersinking screw holes in timber. Made from Carbon Alloy Steel for good performance.

Made From Carbon Steel
For timber use only



Discount Group: A1106

Product Information					Item #	Barcode
Diameter	O/A Length	Countersink Angle	Shank	Pieces		
mm / inch	mm	mm	inch			
3 Pce Set	12, 16, 19mm	42	120°	6	166044670	9311744446704

Smart Chamfer



Designed to quickly cut external chamfers on the ends of bolts or rods. Internal cutting edge for safe operation. Perfect for fast and safe repairs to damaged bolts, burr removal and threading work. Suitable to cut steel, stainless steel, brass, wood, fibreglass and plastic. Use at low speed.



1/4" Hex Shank
Suits impact drivers and quick change adaptors



High Speed Steel Cutting Blades
For good wear resistance

For 3-19mm Rods

8mm Hex Shank
Fits standard power drills

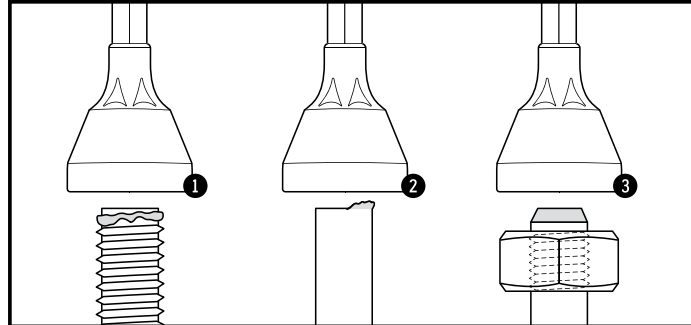


Tungsten Carbide Cutting Blades
For good wear resistance

For 13-35mm Rods

Discount Group: A0424

Product Information				Item #	Barcode
Diameter	Max. Speed	Shank	Pieces		
mm					
High Speed Steel Smart Chamfer					
For 3-19mm Rods	400RPM	1/4	1	107DT0319	9311744446735
Tungsten Carbide Smart Chamfer					
For 13-35mm Rods	150RPM	8mm	1	107DT1335	9311963635514



Common Uses

- 1 Quickly repairs damaged thread allowing nut to thread
- 2 Chamfer rod to remove cutting burr
- 3 Chamfer rod prior to cutting thread